



YUH CHERN

Forging The Future

www.challengehardware.com.tw

Enclosed Track Conveyor Chains

5 Ton Enclosed Track Conveyor Chains





YJC

YUJI CHERN

ABOUT YUH CHERN

In 1979, Yuh Chern Manufacturing Co., Ltd. was established in Taichung City, Taiwan.

Core Business

Since our inception, we have developed a professional hot forging manufacturing service model together with experienced stamping and machining competitiveness that focuses on standardized and customized products in the field of conveyor chains and related products.

Product Range

1 Enclosed Track
Conveyor Chains

2 Drop Forged Rivetless
Conveyor Chains

3 Industrial
Conveyor Chains

The Endless Pursuit for Perfection

Along with business growth, we had not only upgraded manufacturing facilities but also implemented the following management systems:

- ISO 9001 (Quality Management)
- ERP (Enterprise Resource Planning)
- SFT (Shop Floor Tracking)
- PLM (Product Lifecycle Management)
- APS (Advanced Planning and Scheduling)

Experience Makes the Difference

Over the decades, our research and development team has accumulated valuable expertise in product development in order to provide customers with professional technical advice in the early stages of their product development. The efforts include material analysis, structure design and surface treatment. By utilizing software such as AutoCAD, Solidworks, Autodesk Inventor, SolidCAM, Cimatron CAD/CAM and Geomagic Design, we are capable of processing more than a hundred development cases per year. This has allowed us to provide increased product developing efficiency and helped customers to shorten the products TTM (time to market) period.



Company Quality Policy

Customer Satisfaction & Continuous Improvement



Company Vision

To further our knowledge and skill capabilities as a service provider in the technical fields of forging, stamping and machining.



Company Mission

Through quality services and innovation, provide our customers with the most trusted and technologically advanced products.

ENCLOSED TRACK CONVEYOR CHAINS

This Overhead Conveyor Chain system's greatest advantage is that it utilizes a closed track system. The chain can move freely in horizontal and vertical directions within minimal space. Each chain link pitch has horizontal and vertical wheels that have ball bearings for carrying the load with ease. This assists in reducing travel resistance and increasing the life expectancy of the chain.

This enclosed track conveyor chain is designed for maximum flexibility across multi-directional track systems. Compared to conventional conveyor chain systems, this flexibility enhances the conveyor performance while maintaining overall strength and stability. The track route can be designed and installed according to the site requirements and provides functional options in material handling, transportation and storage.

Transportation loads are used to categorize the chains:

- *Light duty (10~20kg) - 2 Ton Enclosed Track Conveyor Chain
- * Medium duty (30~50kg) - 5 Ton Enclosed Track Conveyor Chain
- *Heavy duty (50~70kg) - 7 Ton Enclosed Track Conveyor Chain

The track structure is multi-functional and can be applied to any position and gradient including high altitude, ground level, ascending, descending and directional changing positions within any facility.

Product Features:

- Reliable and economical : the most cost-effective conveyance equipment on the market
- High Precision, long lasting Conveyor Chains
- Intelligent Design for simple installation, assembly and disassembly
- The conveyance componentry are non-exposed and well protected. This is essential for surface treatment and powder coating lines.
- The flexibility of a multi-directional track system fully utilizes the overhead spaces within a plant. Maximizing suspended conveyor lines will reduce occupation of plant floor space and increase facility capacity.

Horizontal Curve

The steering in the horizontal plane is realized by the interaction between the horizontal curve and the horizontal wheel. Our systems carry various radii and angles of horizontal curved tracks that our customers can choose from. The horizontal wheel comes in two versions: the stamping type and solid bearing type. The selection principle depends on the tension of the chain and the radius of the horizontal curve. Our experienced staff can assist in choosing the right solutions for all applications.

Drive Unit

The drive unit of an overhead-enclosed track conveyor line is placed where the maximum tension occurs at any point along the line. Generally, only one drive unit is needed for approximately every 100-120m. If the route becomes longer or more complicated, it is necessary to strategically place multiple drive units with a coaxial or a synchronous motor.

Take-Up Device

The function of this device is to adjust and maintain proper tension of the chain as the chain links elongate. As operating temperatures fluctuate, the over-all tension of the chain gradually degrades due to "thermal expansion and contraction". Take-Up devices counteract this to maintain smooth movement. Take-Up devices are available with counter-weight and spring-operated tension adjustment options. The device consists of a moveable frame, a fixed support frame, pulleys, rollers, a counter-weight, and expansion joints. The device is generally set on the conveyor line where the tension is the smallest, for example, the closest curved section behind the drive unit.

Conveyor Accessories

Oil Cup / Water Jet Nozzles / Automatic Lubricators / Flanges (Steel, Rubber, Teflon) / Inspection & Maintenance Tracks / Upward & Downward Vertical Curves / Various types of Hangers / Pendants: Y-type Hanger, Swivel Cross Hanger, and U-type Hanger

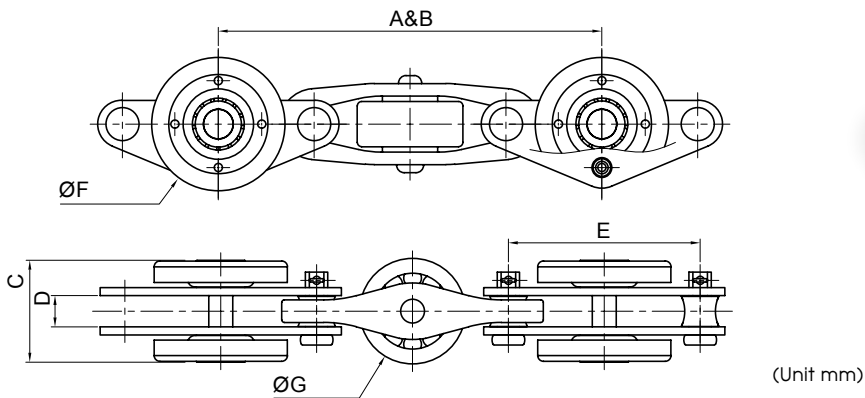


5 Ton Enclosed Track Conveyor Chains

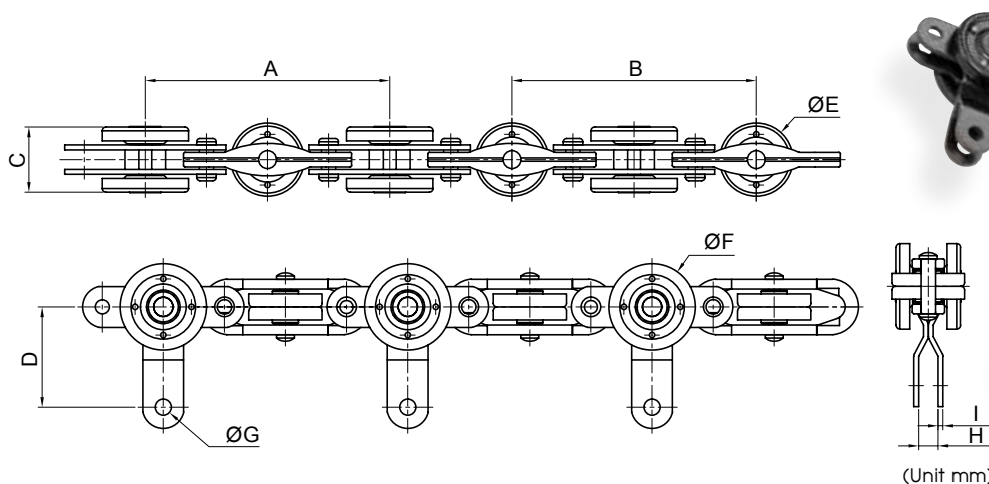
HW = Horizontal Wheel VW = Vertical Wheel HVW = Horizontal & Vertical Wheel

5 Ton Enclosed Track Conveyor Chain : Load Wheel Capacity <50kg / Chain Pitch = 150mm / Tensile Strength =5000kgf

The 5 Ton chain is currently the most commonly used enclosed track conveyor chain system. The structure is simple and light, steering is flexible, and it has the characteristics of a small chain pitch. It is a compact system that can be used with horizontal tracks of smaller diameters and within limited turning spaces. This enables a more compact design of the conveyor line and improves utilization of factory space. This system is widely used in various applications, such as the bicycle, furniture, metal processing, painting and other industries.



Item NO.	Description	A	B	C	D	E	F	G	Load Capacity (kg)	Min. Ultimate Tensile Strength (kgf)
5013122016	5 Ton Enclosed Track Conveyor Chain	150	150	40	12.5	75	52.8	45	50	5000
5013122026	5 Ton Enclosed Track Conveyor Chain (HW Solid Bearing)	150	150	40	12	75	52.8	45	50	5000
5013122015	5 Ton Enclosed Track Conveyor Chain (HVW Solid Bearing)	150	150	40	12	75	52	45	50	5000
5013121003	5 Ton US Enclosed Track Conveyor Chain (HW Solid Bearing)	152.4	152.4	40.5	12.45	76.2	54.2	42	50	5000
5013122011	5 Ton US Enclosed Track Conveyor Chain (HVW Solid Bearing)	152.4	152.4	40.5	12.45	76.2	54.2	42	50	5000



Item NO.	Description	A	B	C	D	E	F	G	H	I	Load Capacity (kg)	Min. Ultimate Tensile Strength (kgf)
5013122027	5 Ton Enclosed Track Conveyor Chain (HVW Stamping Bearing)	150	150	41	61.5	44.5	52.8	10	12	3.2	50	5000
5013121002	5 Ton Enclosed Track Chain with Hanger (HW Solid Bearing)	150	150	40	61.5	45	52.8	10	18	3	50	5000
5013122028	5 Ton Enclosed Track Conveyor Chain with Hanger (HVW Solid Bearing)	150	150	41	61.5	45	52	10	12	3.2	50	5000

5 Ton Enclosed Track Conveyor Equipment

Item NO.	Description	Picture	Item NO.	Description	Picture
5011101101	5 Ton Straight Track		601290007	5 Ton Automatic Lubricator	
5011204701	5 Ton Horizontal Curve R600mm / D180		5013122007	5 Ton Flange	
5011404701	5 Ton Vertical Curve Up R600mm / D180		5011101111	5 Ton Maintenance Track	
5011504701	5 Ton Vertical Curve Down R600mm / D180		50610320009	5 Ton Expansion Tube	
601221204	5 Ton Drive Device		5013122002	5 Ton Caterpillar Drive Chain (Downward)	
601220005	5 Ton Take-Up Device R600mm (Spring Type)		50610320006	5 Ton Caterpillar Drive Chain Sprocket (8 Teeth)	



• 5 Ton Take-Up Device R600mm (Counter Weight)



• 5 Ton Enclosed Track Vertical Bend - Hot Dip Galvanized



• 5 Ton Drive Device - Hot Dip Galvanized



• 5 Ton Take-Up Device - Hot Dip Galvanized



• 5 Ton Enclosed Track Horizontal Curves - Hot Dip Galvanized

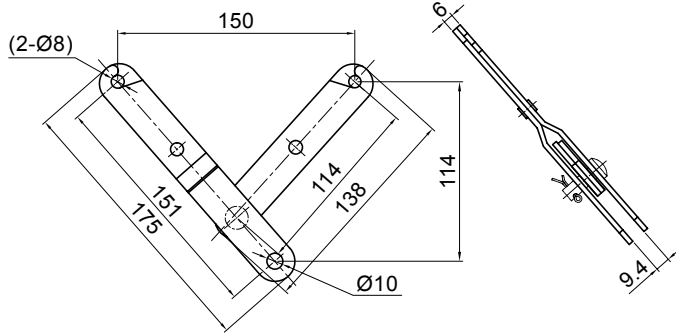


• 5 Ton Caterpillar Drive with Motor and Reducer

5 Ton Enclosed Track Chain First Penant

- 5 Ton Y-Type Hanger (PIN Excluded)

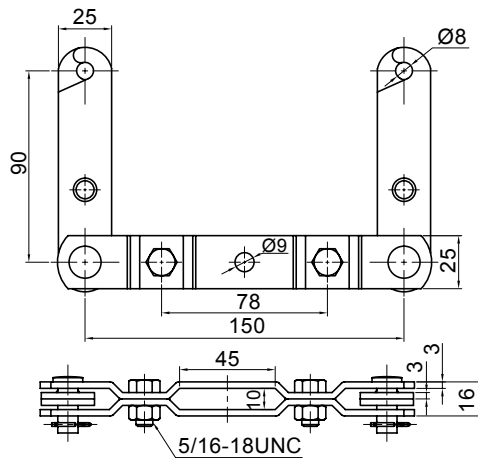
Item NO. 5013122025



(Unit mm)

- 5 Ton U-Type Hanger

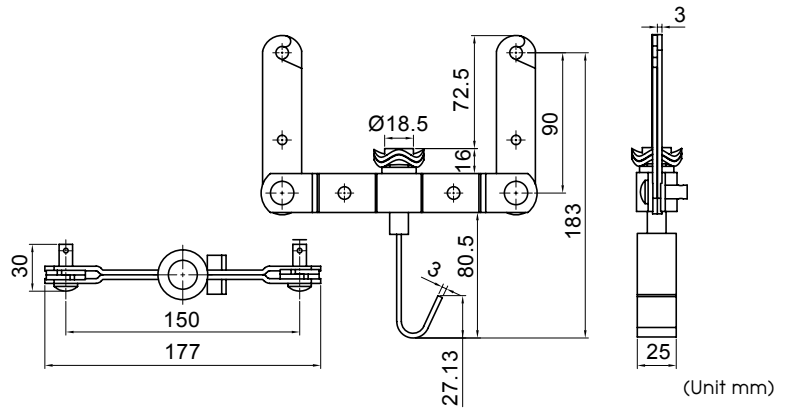
Item NO. 50610320011



(Unit mm)

- 5 Ton U-Type Hanger with Flat Hook

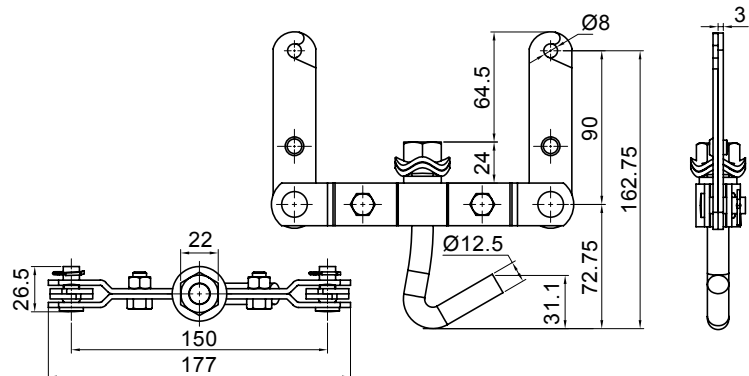
Item NO. 5013122013



(Unit mm)

- 5 Ton U-Type Hanger with Round Hook

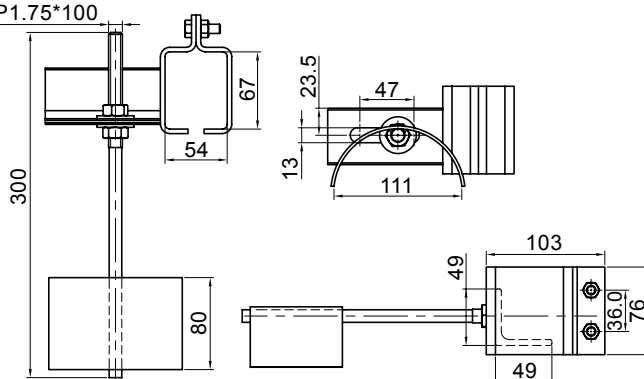
Item NO. 5013122022



(Unit mm)

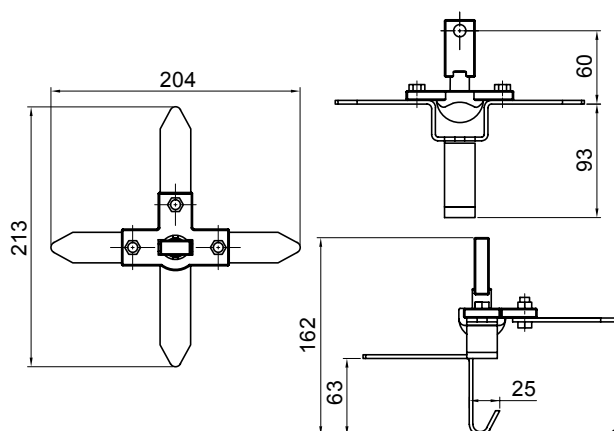
5 Ton Enclosed Track Chain Second Penant

- 5 Ton Star Pendant Auto-Turn Bracket $M12 \times P1.75 \times 100$
Item NO. 50610320014



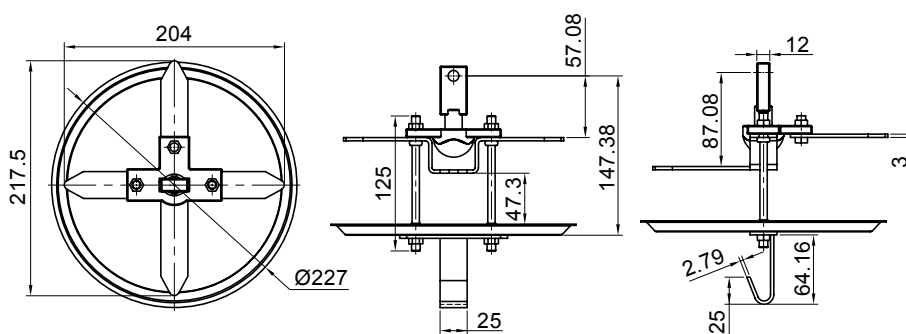
(Unit mm)

- 5 Ton Cross Swivel Hanger
Item NO. 50610320002



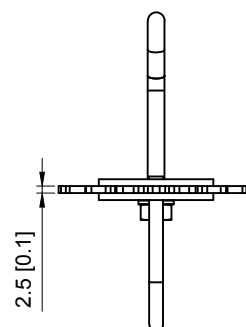
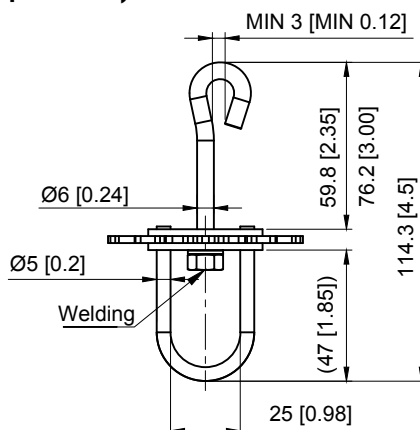
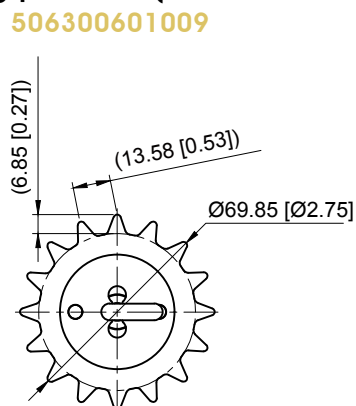
(Unit mm)

- Rotating Star Pendant with Plate 227mm (Flat)
Item NO. 50610320017



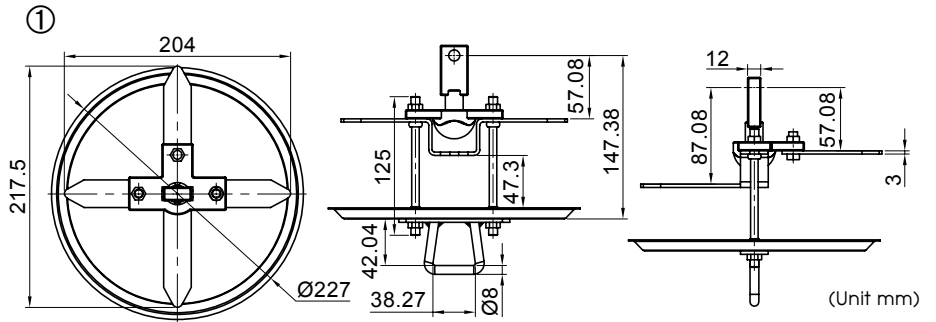
(Unit mm)

- Rotating pendant (tooth/disk U-shaped set)
Item NO. 506300601009

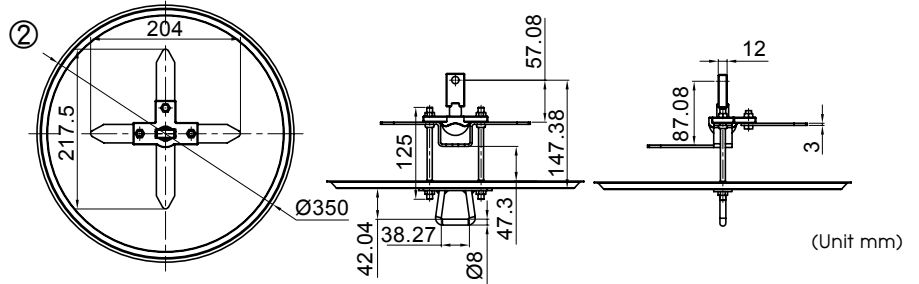


(Unit mm)

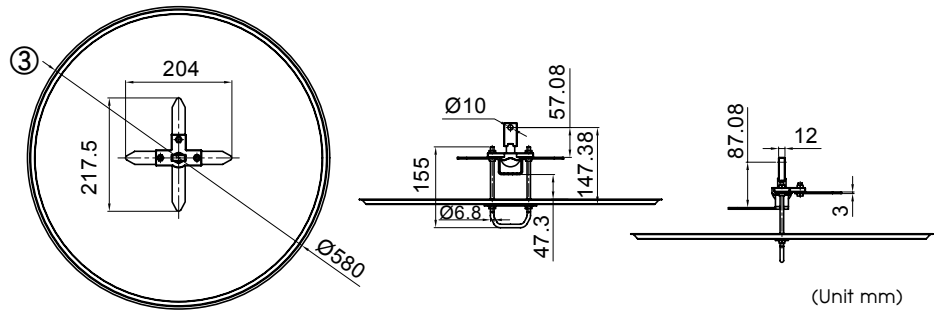
① Rotating Star Pendant with Plate 227mm (Round)
Item NO. 50610320016



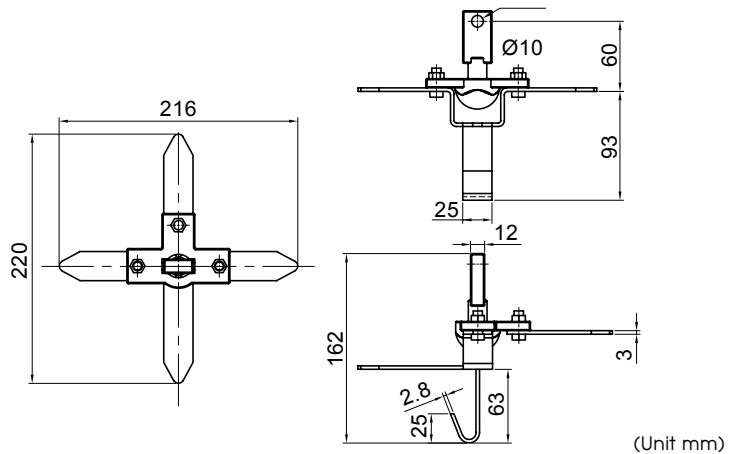
② Rotating Star Pendant with Plate 350mm (Round)
Item NO. 50610320025



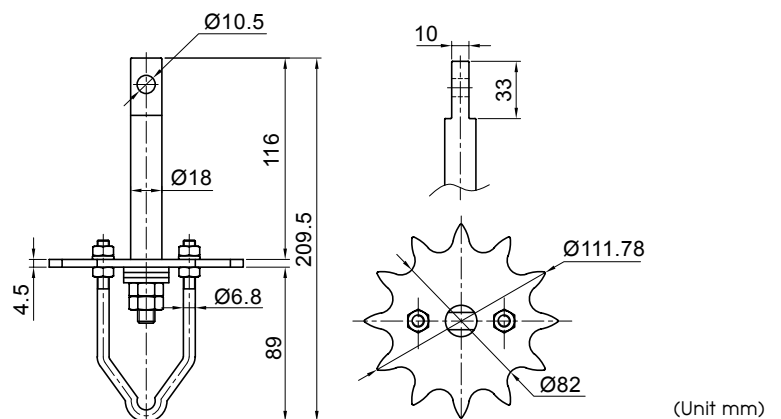
③ Rotating Star Pendant with Plate 580mm (Round)
Item NO. 50610320024



• 7 Ton Cross Swivel
Item NO. 50610320010



• 7 Ton Sprockets Pendant
Item NO. 5013142011

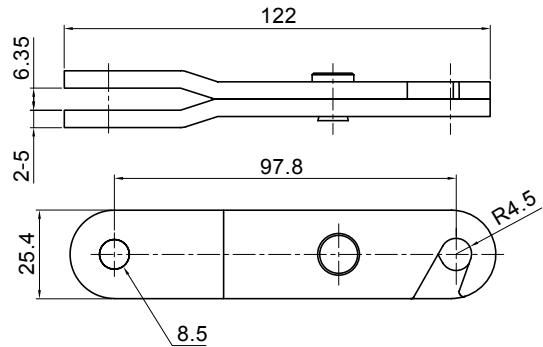


OEM 5 Ton Enclosed Track Chain Pendant & Accessory

For OEM products please check availability before placing orders.

- **Standard Clevis Pendant**

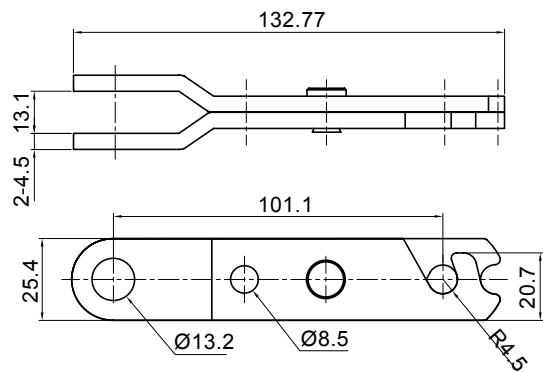
Item NO. 50630060016



(Unit mm)

- **Rigid Clevis Pendant**

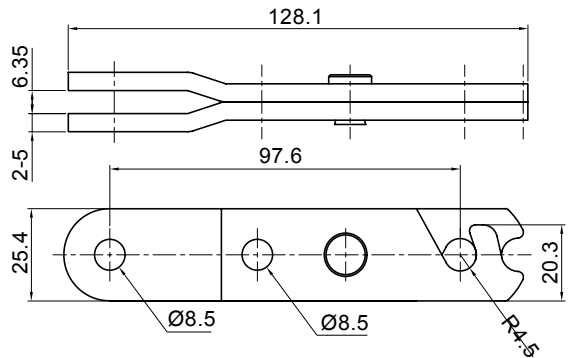
Item NO. 50610010007



(Unit mm)

- **Rigid Clevis Pendant**

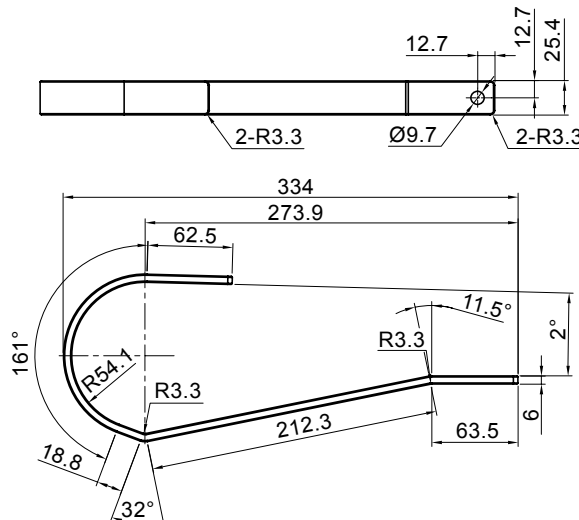
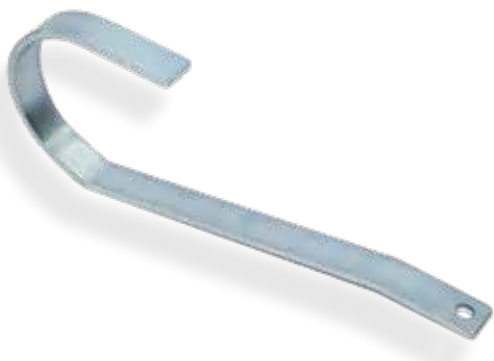
Item NO. 50630060017



(Unit mm)

- **UPS J-Hook (13.16")**

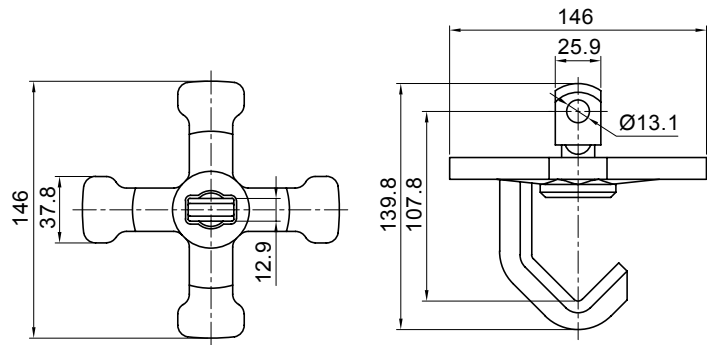
Item NO. 50630060003



(Unit mm)

• Rotating Star Pendant-Casting

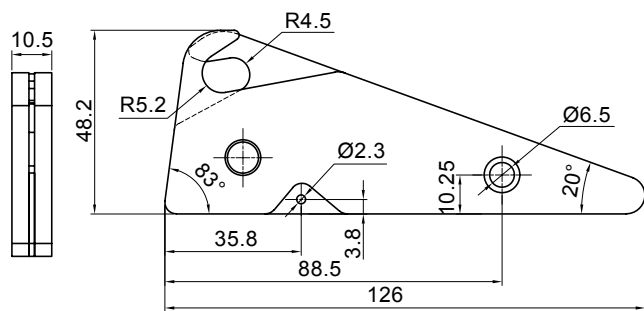
Item NO. 50610010023



(Unit mm)

• Holdback Dog Pendant

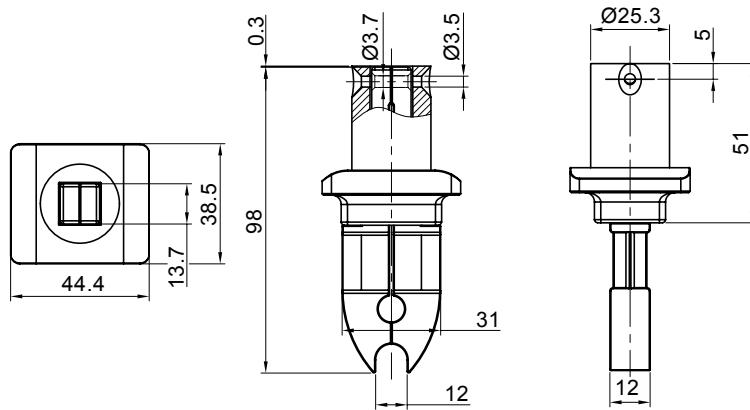
Item NO. 50610010006



(Unit mm)

• 3 Piece Inverted Pendant

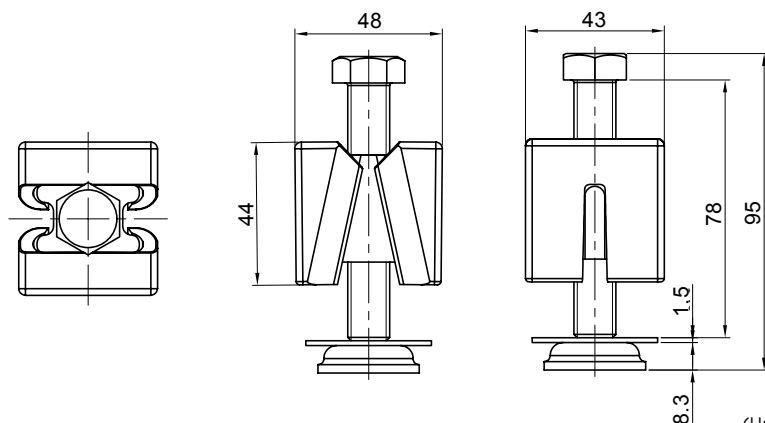
Item NO. 50610010019



(Unit mm)

• Track Welding Jig

Item NO. 50610010020



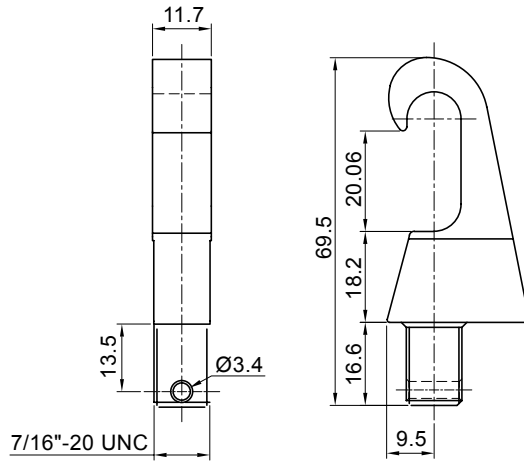
(Unit mm)

OEM 5 Ton Enclosed Track Chain Pendant & Accessory

For OEM products please check availability before placing orders.

- **J-Hook**

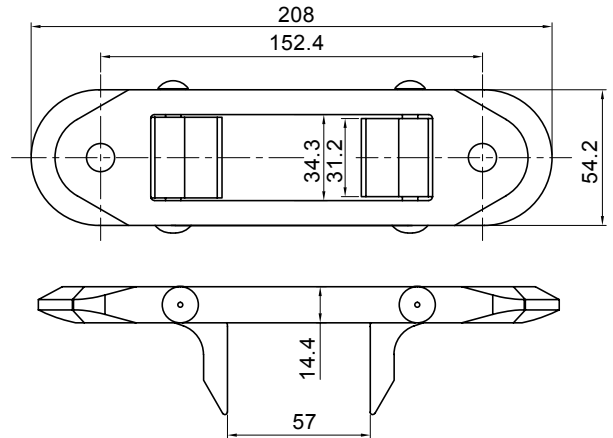
Item NO. 50610010002



(Unit mm)

- **Side X Side Pusher Dog**

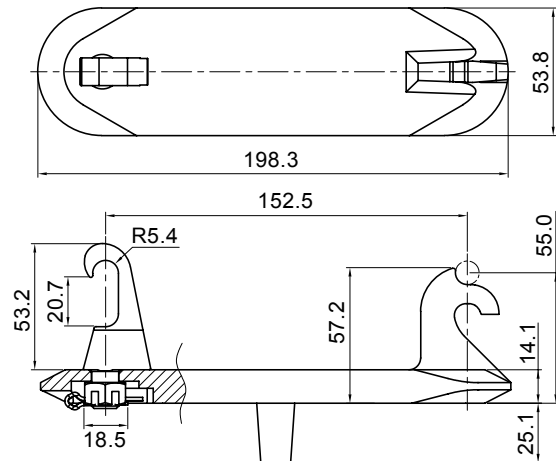
Item NO. 50610010003



(Unit mm)

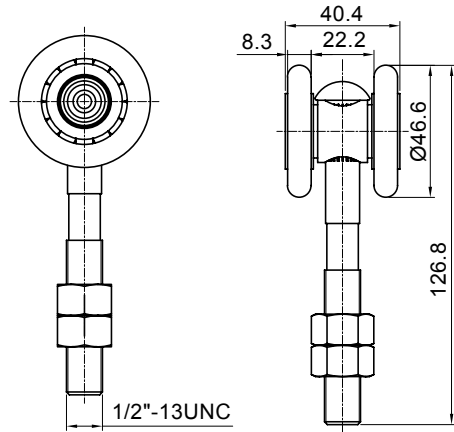
- **Over / Under Pusher Dog**

Item NO. 50610010004



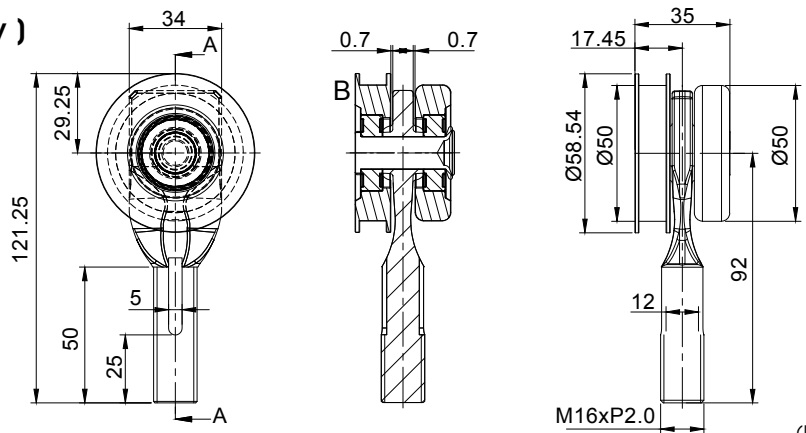
(Unit mm)

- 2 Wheel Trolley Assembly)
Item NO. 50610010005



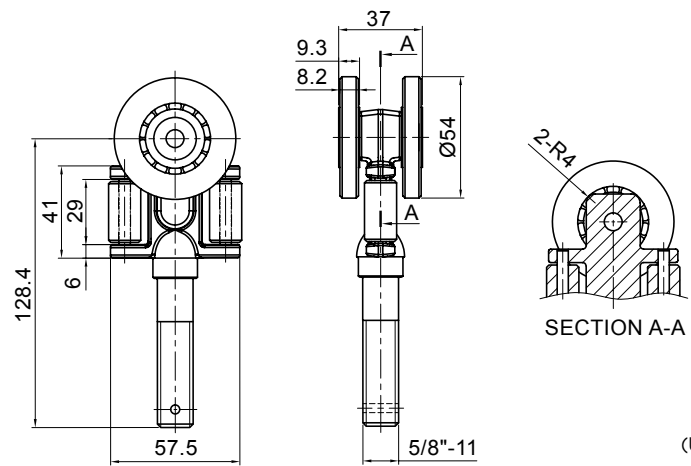
(Unit mm)

- OEM 2 Wheel Trolley Assembly)
Item NO. 506505201000



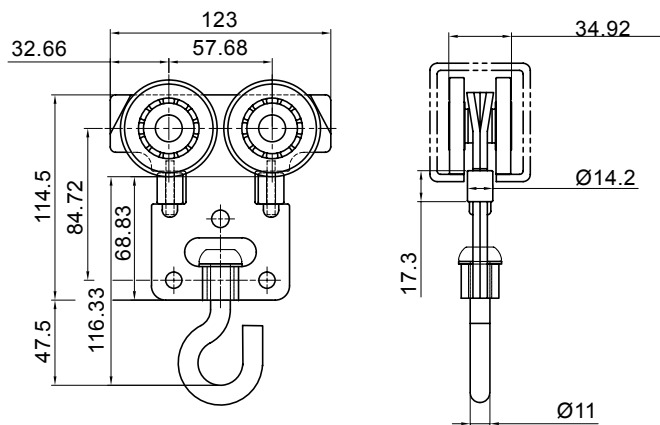
(Unit mm)

- 2 Wheel Carrier
Item NO. 50630060006



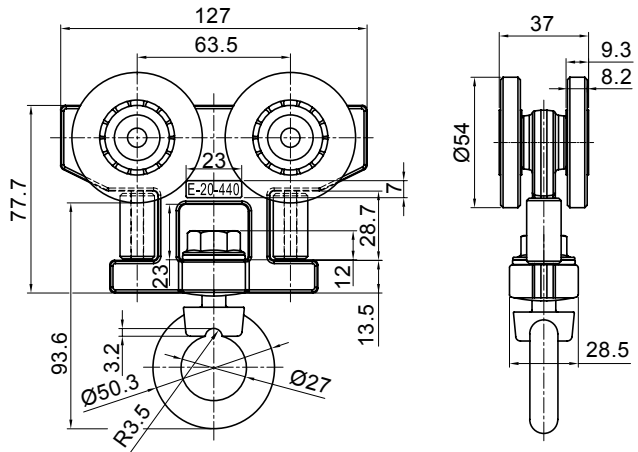
(Unit mm)

- 4 Wheel Trolley
Item NO. 50610010011



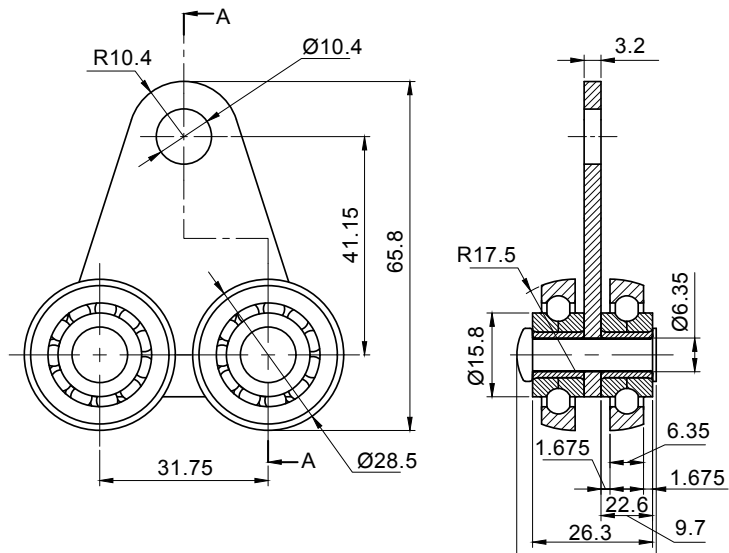
(Unit mm)

- **4 Wheel Carrier**
Item NO. 50630060007



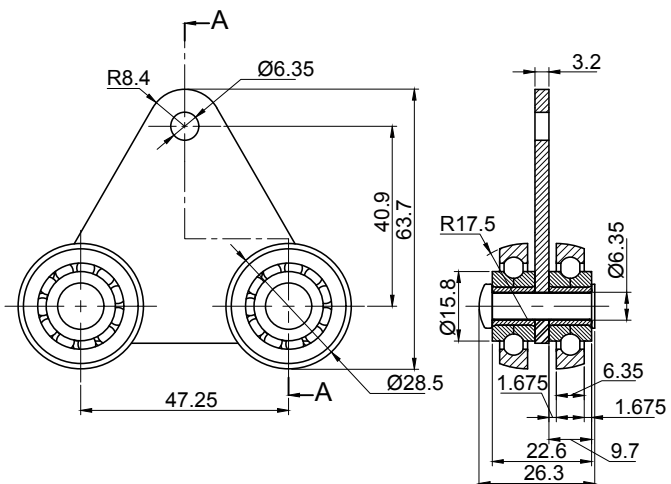
(Unit mm)

- **OEM Rave Door Trolley (3/8" Hole)**
Item NO. 504303701000



(Unit mm)

- **OEM Rave Door Trolley (1/4" Hole)**
Item NO. 504303701001



(Unit mm)



YUH CHERN MANUFACTURING CO., LTD.

No.336, Dingtai Rd., Wufeng Dist., Taichung City 413, Taiwan (R.O.C.)

Tel : +886-4-2330-7323 Fax : +886-4-2332-5258

Email : service@challengehardware.com.tw