



YUH CHERN

Forging The Future

www.challengehardware.com.tw

Industrial Conveyor Chains

Bakery Chains





ZC

ZUH CHERN

ABOUT YUH CHERN

In 1979, Yuh Chern Manufacturing Co., Ltd. was established in Taichung City, Taiwan.

Core Business

Since our inception, we have developed a professional hot forging manufacturing service model together with experienced stamping and machining competitiveness that focuses on standardized and customized products in the field of conveyor chains and related products.

Product Range

1 Enclosed Track
Conveyor Chains

2 Drop Forged Rivetless
Conveyor Chains

3 Industrial
Conveyor Chains

The Endless Pursuit for Perfection

Along with business growth, we had not only upgraded manufacturing facilities but also implemented the following management systems:

- ISO 9001 (Quality Management)
- ERP (Enterprise Resource Planning)
- SFT (Shop Floor Tracking)
- PLM (Product Lifecycle Management)
- APS (Advanced Planning and Scheduling)

Experience Makes the Difference

Over the decades, our research and development team has accumulated valuable expertise in product development in order to provide customers with professional technical advice in the early stages of their product development. The efforts include material analysis, structure design and surface treatment. By utilizing software such as AutoCAD, Solidworks, Autodesk Inventor, SolidCAM, Cimatron CAD/CAM and Geomagic Design, we are capable of processing more than a hundred development cases per year. This has allowed us to provide increased product developing efficiency and helped customers to shorten the products TTM (time to market) period.



Company Quality Policy

Customer Satisfaction & Continuous Improvement



Company Vision

To further our knowledge and skill capabilities as a service provider in the technical fields of forging, stamping and machining.



Company Mission

Through quality services and innovation, provide our customers with the most trusted and technologically advanced products.

INDUSTRIAL CONVEYOR CHAINS

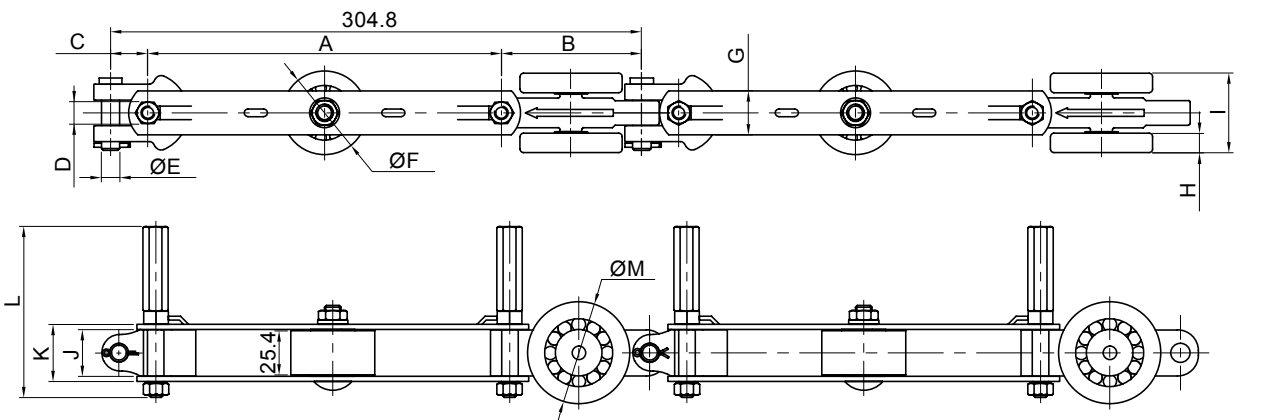
OEM & ODM Custom-Made Chains

Yuh Chern is consistently working with OEM/ODM customers to develop and manufacturer a variety of customized chain products; please refer to the following photos of our OEM/ODM chain products. If you are interested in any of our chain products or OEM/ODM services, please contact one of our sales staff for further assistance.



Bakery Chains

One of our environment specific chains is the Bakery Industry chain. It is designed to work in high temperatures and is moisture resistant. This design is suitable for carrying bread dough that is running on proofing and baking lines.

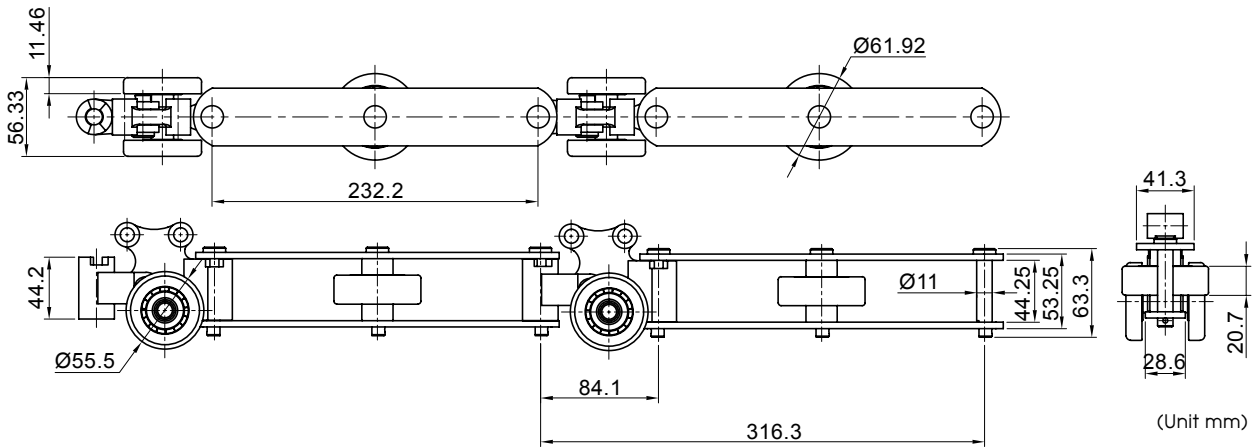


(Unit mm)

Item NO.	Description	A	B	C	D	E	F	G	H	I	J	K	L	M	Material	Surface Finishing	Min. Ultimate Tensile Strength (kgf)
50610020001	816 Bakery Chain (Zinc Plated)	203.2	80.4	21.2	12.7	10.7	48.3	25.4	11.3	46	26.9	32.9	98.4	58.8	Carbon Steel	Zinc Plated	4400
50610020006	816 Bakery Chain (Black Oxide)	203.2	80.4	21.2	12.7	10.7	48.3	25.4	11.3	46	26.9	32.9	98.4	58.8	Carbon Steel	Black Oxide	4400
50610020002	816 Bakery Chain-Horizontal Dual Ball Bearing (Zinc Plated)	203.2	80.4	21.2	12.7	10.7	48.3	25.4	11.3	46	26.9	32.9	98.4	58.8	Carbon Steel	Zinc Plated	4400
50610020004	816 Bakery Chain-Horizontal Dual Ball Bearing (Black Oxide)	203.2	80.4	21.2	12.7	10.7	48.3	25.4	11.3	46	26.9	32.9	98.4	58.8	Carbon Steel	Black Oxide	4400

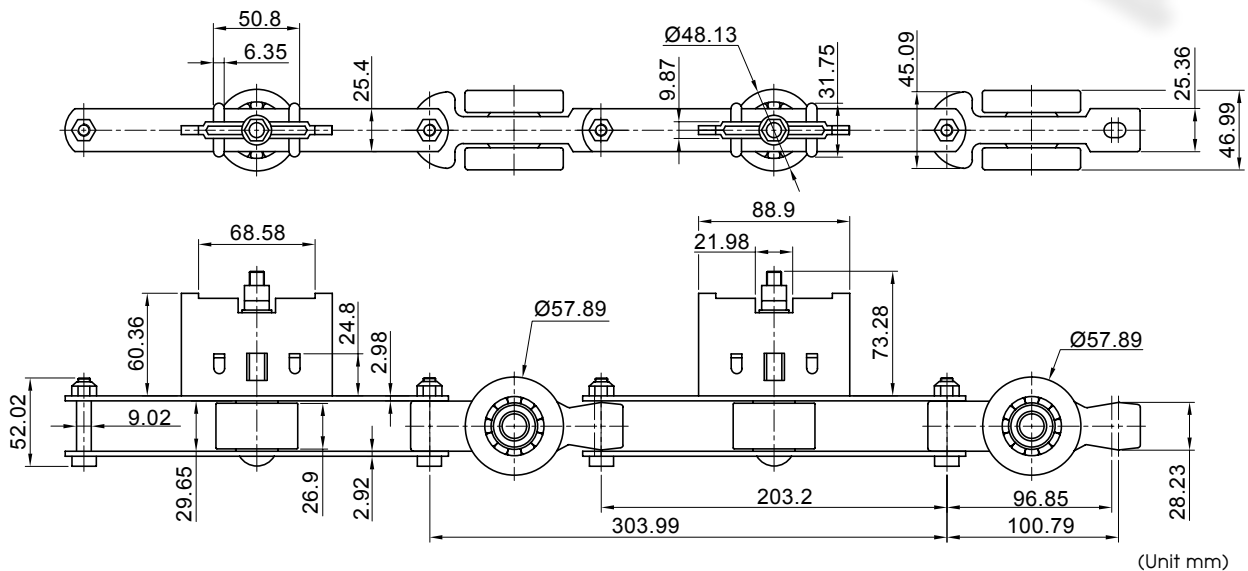
• **Bakery Chain-Type 1**
Item NO. 5013290001

Material	Carbon Steel
Surface Finishing	Anti-Rust Oil
Min. Ultimate Tensile Strength (kgf)	8800



• **Bakery Chain-Type 5**
Item NO. 5013290002

Material	Carbon Steel
Surface Finishing	Anti-Rust Oil
Min. Ultimate Tensile Strength (kgf)	7300





YUH CHERN MANUFACTURING CO., LTD.

No.336, Dingtai Rd., Wufeng Dist., Taichung City 413, Taiwan (R.O.C.)

Tel : +886-4-2330-7323 Fax : +886-4-2332-5258

Email : service@challengehardware.com.tw