



YUH CHERN

Forging The Future

[www.challengehardware.com.tw](http://www.challengehardware.com.tw)

# Industrial Conveyor Chains

177.8 Bucket Elevator Chain



YUH CHERN





YJC

YUJI CHERN



# ABOUT YUH CHERN

In 1979, Yuh Chern Manufacturing Co., Ltd. was established in Taichung City, Taiwan.

## Core Business

Since our inception, we have developed a professional hot forging manufacturing service model together with experienced stamping and machining competitiveness that focuses on standardized and customized products in the field of conveyor chains and related products.

## Product Range

1 Enclosed Track  
Conveyor Chains

2 Drop Forged Rivetless  
Conveyor Chains

3 Industrial  
Conveyor Chains

## The Endless Pursuit for Perfection

Along with business growth, we had not only upgraded manufacturing facilities but also implemented the following management systems:

- ISO 9001 (Quality Management)
- ERP (Enterprise Resource Planning)
- SFT (Shop Floor Tracking)
- PLM (Product Lifecycle Management)
- APS (Advanced Planning and Scheduling)

## Experience Makes the Difference

Over the decades, our research and development team has accumulated valuable expertise in product development in order to provide customers with professional technical advice in the early stages of their product development. The efforts include material analysis, structure design and surface treatment. By utilizing software such as AutoCAD, Solidworks, Autodesk Inventor, SolidCAM, Cimatron CAD/CAM and Geomagic Design, we are capable of processing more than a hundred development cases per year. This has allowed us to provide increased product developing efficiency and helped customers to shorten the products TTM (time to market) period.



### Company Quality Policy

Customer Satisfaction & Continuous Improvement



### Company Vision

To further our knowledge and skill capabilities as a service provider in the technical fields of forging, stamping and machining.



### Company Mission

Through quality services and innovation, provide our customers with the most trusted and technologically advanced products.

# INDUSTRIAL CONVEYOR CHAINS

---

## OEM & ODM Custom-Made Chains

Yuh Chern is consistently working with OEM/ODM customers to develop and manufacturer a variety of customized chain products; please refer to the following photos of our OEM/ODM chain products. If you are interested in any of our chain products or OEM/ODM services, please contact one of our sales staff for further assistance.

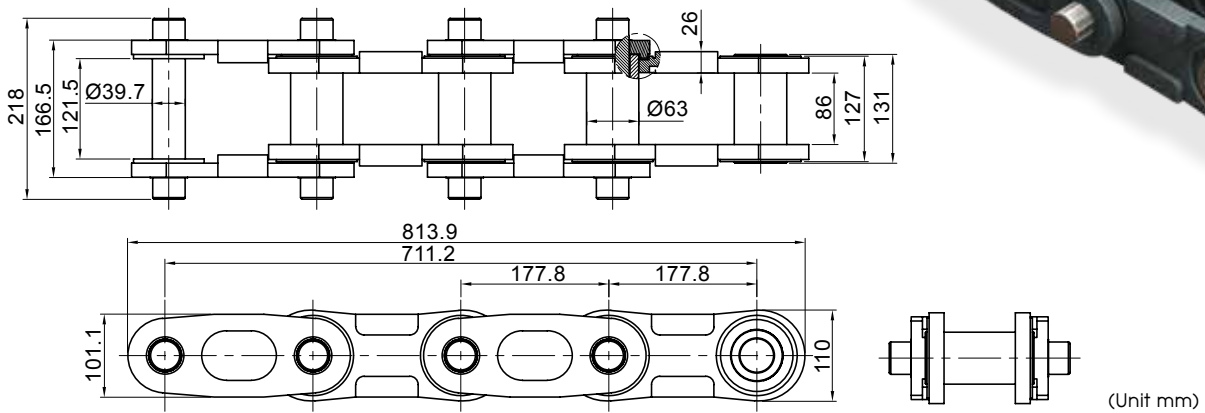


## 177.8 Bucket Elevator Chain

The 177.8 Heavy-duty chain is designed for excavator/bucket elevator systems that are suitable for heavy industrial sites such as mining and metal smelting. It can be utilized in all kinds of bucket conveyor and flat conveyor equipments. In addition to meeting all of the industry tensile strength standards, we focus on delivering above the market results regarding wear resistance. The chains are composed hot forged outer chain plates, bush and solid pins. Our precision CNC machining on the outer chain plates guarantees a consistent mechanical oil seal across all components.

### Item NO. 6014493001

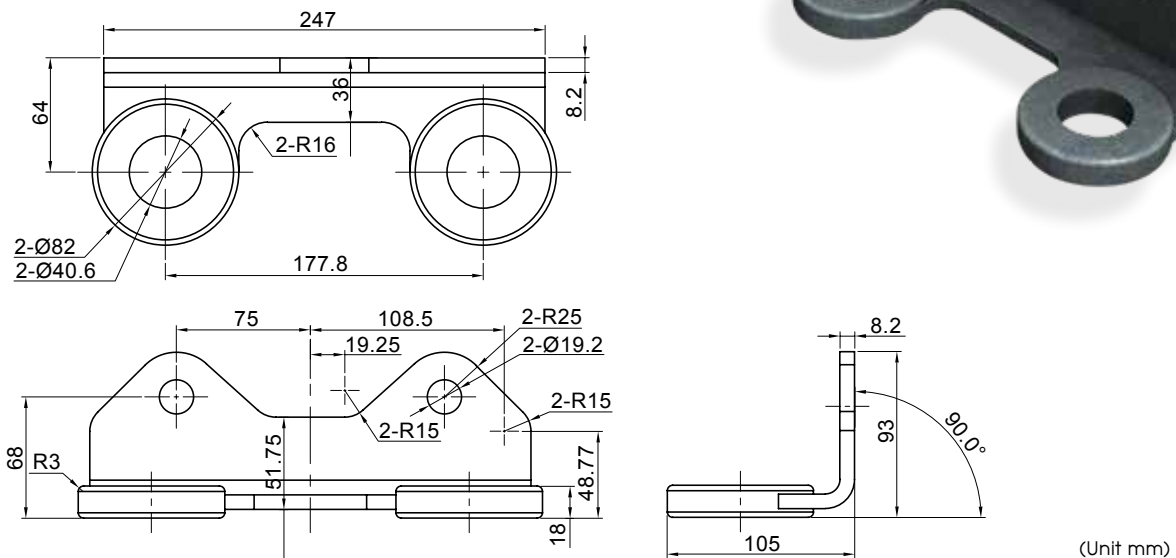
Material	SAE4140
Surface Finishing	Anti-Rust Oil
Min. Ultimate Tensile Strength (kgf)	114000



### • 177.8 Bucket Elevator Chain L Attachment

#### Item NO. 501359A001

Material	SAE1045
Surface Finishing	Anti-Rust Oil







YUH CHERN MANUFACTURING CO., LTD.

No.336, Dingtai Rd., Wufeng Dist., Taichung City 413, Taiwan (R.O.C.)

Tel : +886-4-2330-7323 Fax : +886-4-2332-5258

Email : [service@challengehardware.com.tw](mailto:service@challengehardware.com.tw)