

YUH CHERN

Forging The Future

www.challengehardware.com.tw

Drop Forged Conveyor Rivetless Chains

Power & Free Conveyor Systems





YCH

YUJI CHERN

ABOUT YUH CHERN

In 1979, Yuh Chern Manufacturing Co., Ltd. was established in Taichung City, Taiwan.

Core Business

Since our inception, we have developed a professional hot forging manufacturing service model together with experienced stamping and machining competitiveness that focuses on standardized and customized products in the field of conveyor chains and related products.

Product Range

1 Enclosed Track
Conveyor Chains

2 Drop Forged Rivetless
Conveyor Chains

3 Industrial
Conveyor Chains

The Endless Pursuit for Perfection

Along with business growth, we had not only upgraded manufacturing facilities but also implemented the following management systems:

- ISO 9001 (Quality Management)
- ERP (Enterprise Resource Planning)
- SFT (Shop Floor Tracking)
- PLM (Product Lifecycle Management)
- APS (Advanced Planning and Scheduling)

Experience Makes the Difference

Over the decades, our research and development team has accumulated valuable expertise in product development in order to provide customers with professional technical advice in the early stages of their product development. The efforts include material analysis, structure design and surface treatment. By utilizing software such as AutoCAD, Solidworks, Autodesk Inventor, SolidCAM, Cimatron CAD/CAM and Geomagic Design, we are capable of processing more than a hundred development cases per year. This has allowed us to provide increased product developing efficiency and helped customers to shorten the products TTM (time to market) period.



Company Quality Policy

Customer Satisfaction & Continuous Improvement



Company Vision

To further our knowledge and skill capabilities as a service provider in the technical fields of forging, stamping and machining.



Company Mission

Through quality services and innovation, provide our customers with the most trusted and technologically advanced products.

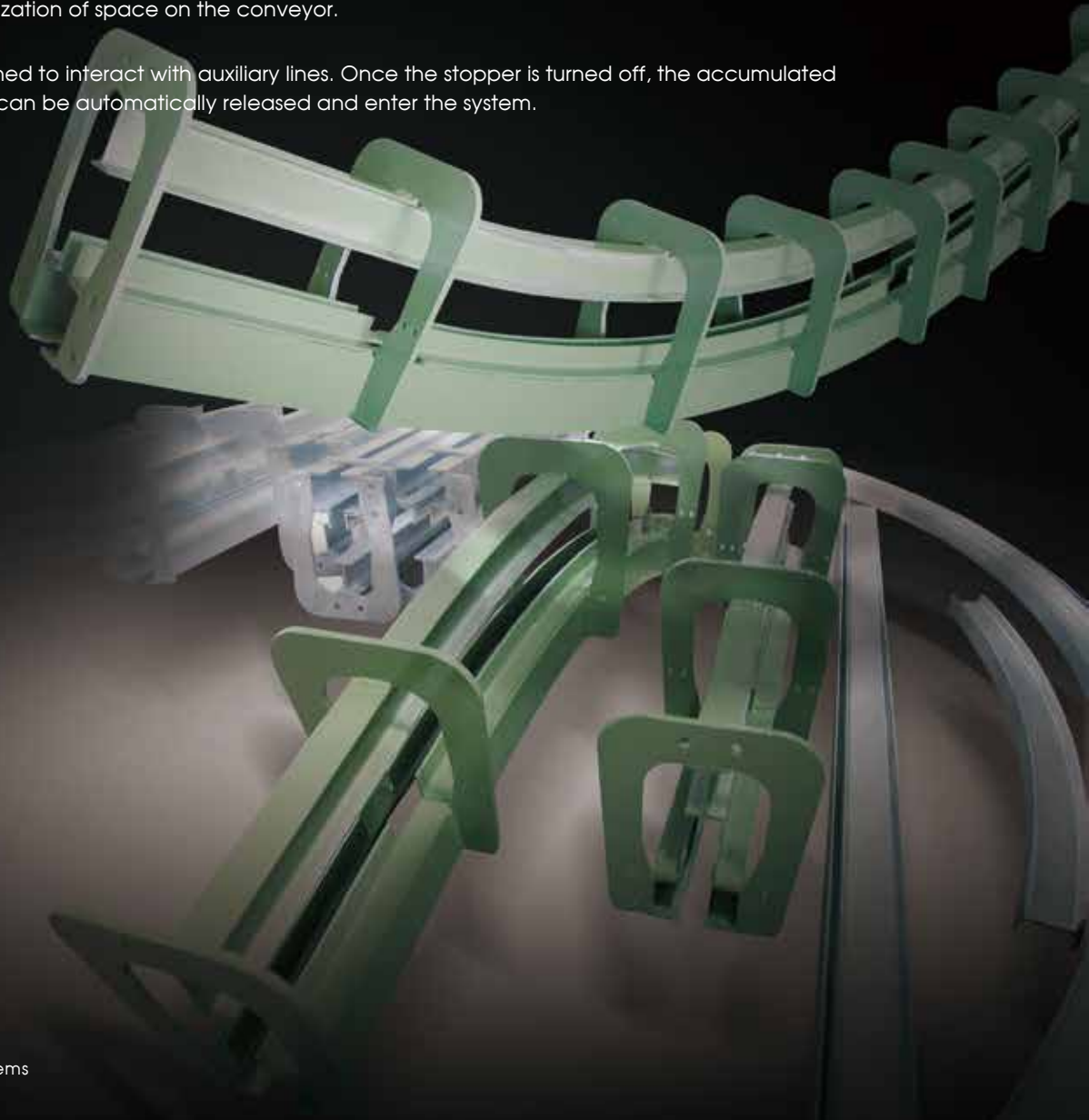
POWER & FREE CONVEYOR SYSTEMS

In a Power & Free (accumulation) conveyor system, there is a set of three free-trolleys. The first is the front free trolley (the accumulating trolley), a connector pin, a middle free trolley, a load bar, and a rear free trolley. It is designed to allow the side link pusher dog to interact with the upper power chain to achieve the function of accumulation and release.

The power chain's side link pusher dog attaches with the front flopper dog of the front free trolley and pushes the trolley set in motion along the track. When the trolley set needs to stop, the front free trolley's actuating lever engages with the cam tail of a stopped rear free trolley that is in front of it. The actuating lever pivots up, pulling down the retractable dog, disengaging the power chain that continues to move forwards

THERE ARE THREE MAIN FUNCTIONS OF A POWER & FREE CONVEYOR:

- 1 Carrying and transporting goods.
- 2 In the scenario that the conveyor chain is running continuously, the retractable dog descends to allow a free trolley set to automatically stop and to accumulate multiple trolley sets, this will improve the utilization of space on the conveyor.
- 3 It can be designed to interact with auxiliary lines. Once the stopper is turned off, the accumulated free trolley sets can be automatically released and enter the system.

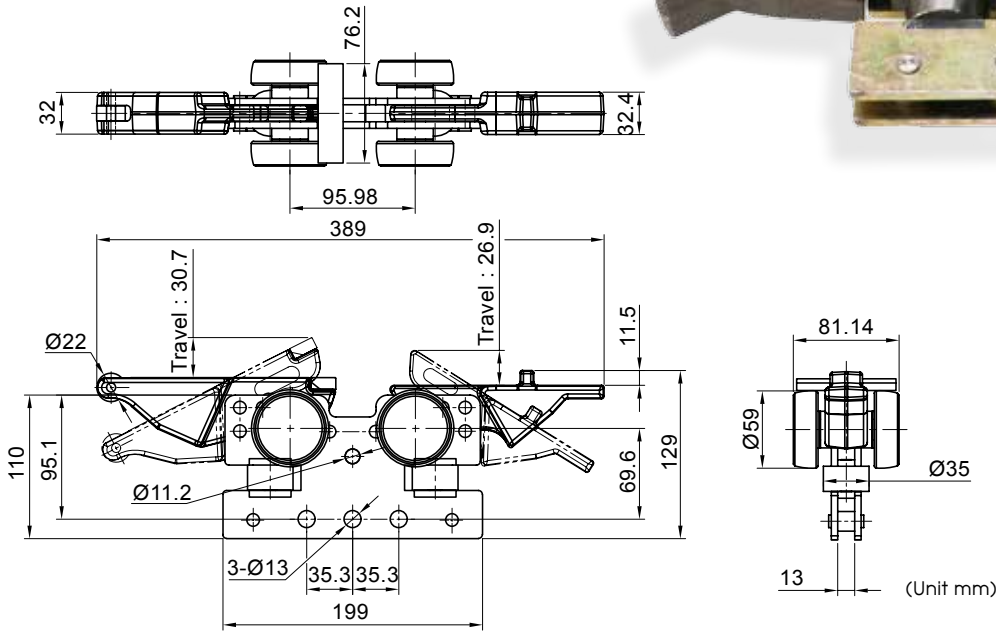
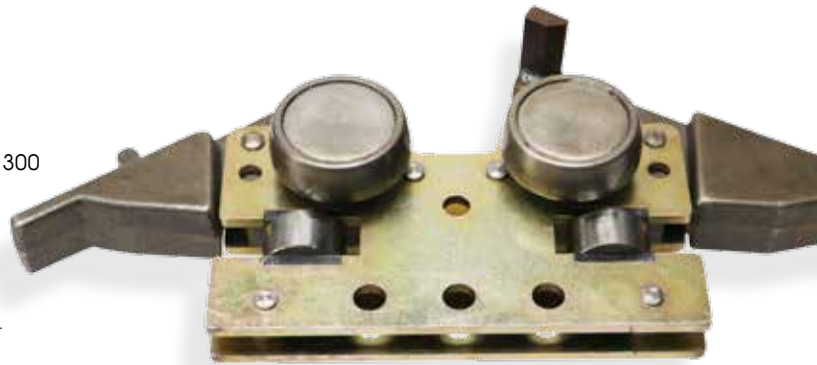


3" Light Duty Free Trolley

- **3" Light Duty Front Free Trolley (Wheel 59)**

Item NO. 5019611002

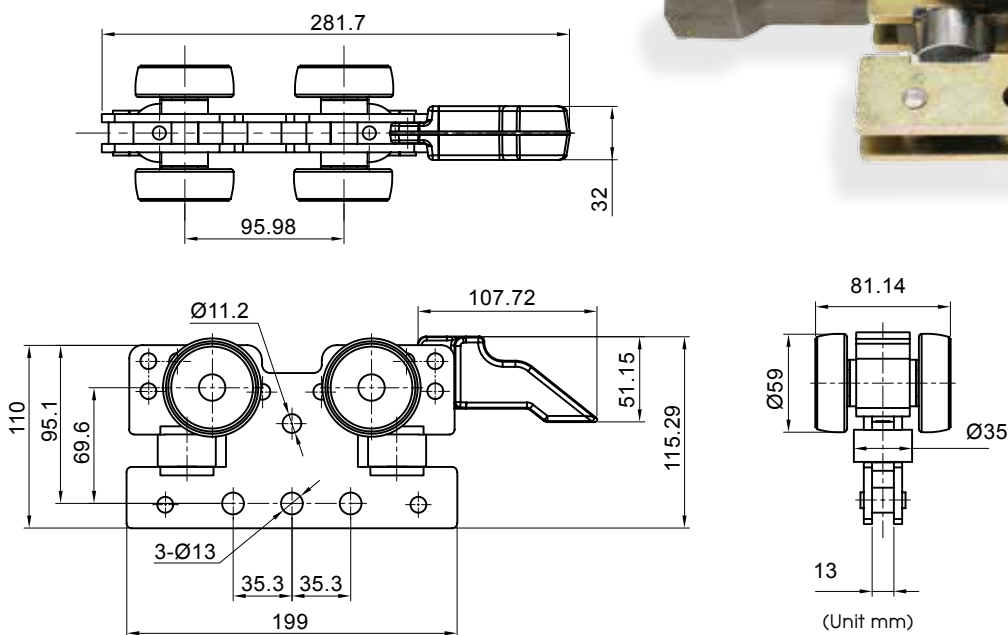
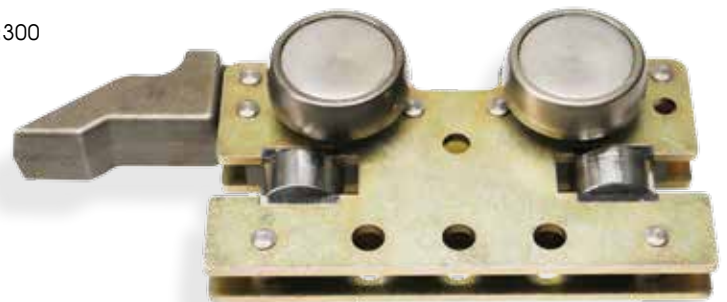
Weight per Set (kg)	5.1
Load Capacity (kg)	Single Trolley:150 / Double Trolley:300



- **3" Light Duty Rear Free Trolley (Wheel 59)**

Item NO. 5019611003

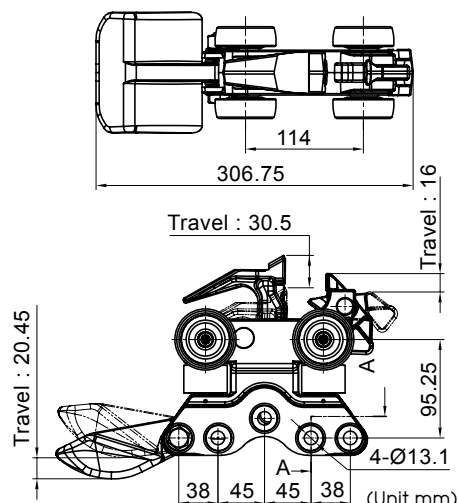
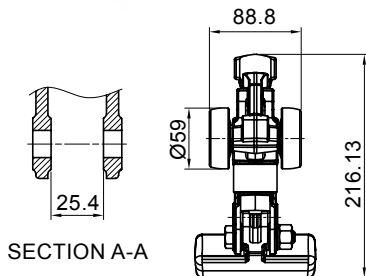
Weight per Set (kg)	3.8
Load Capacity (kg)	Single Trolley:150 / Double Trolley:300



3" Free Trolley

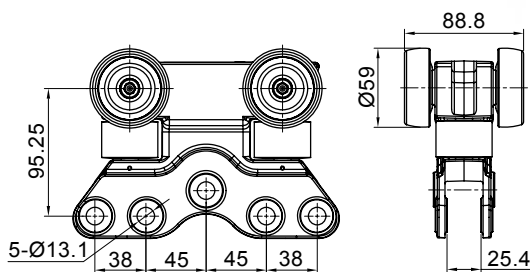
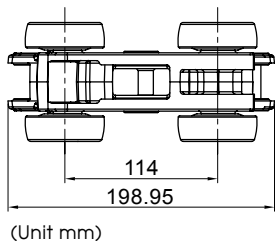
- **3" Front Free Trolley (Wheel 59)**
Item NO. 5019611001

Weight per Set (kg) | 10.7
Load Capacity (kg) | Single Trolley:350 / Double Trolley:700



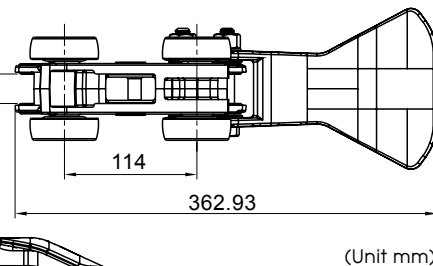
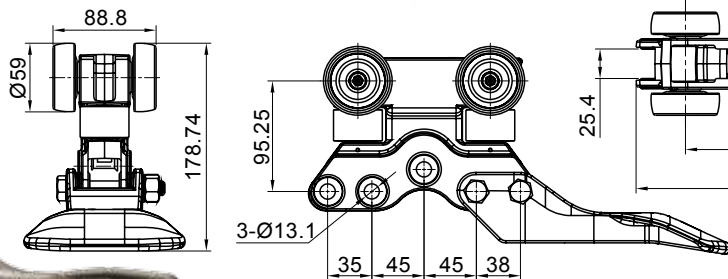
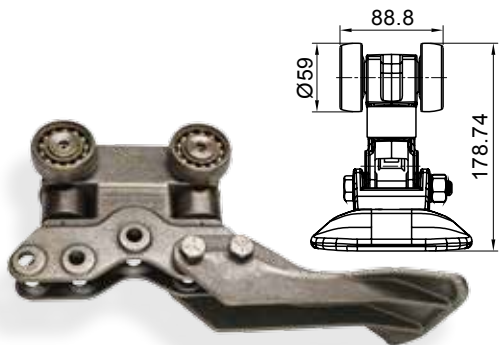
- **3" Intermediate Free Trolley (Wheel 59)**
Item NO. 5019611039

Weight per Set (kg) | 7.0
Load Capacity (kg) | Single Trolley:350 / Double Trolley:700



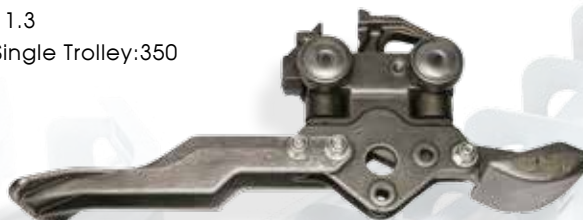
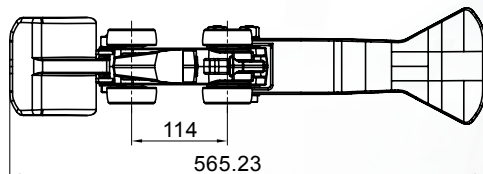
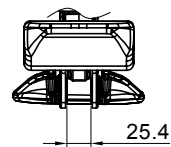
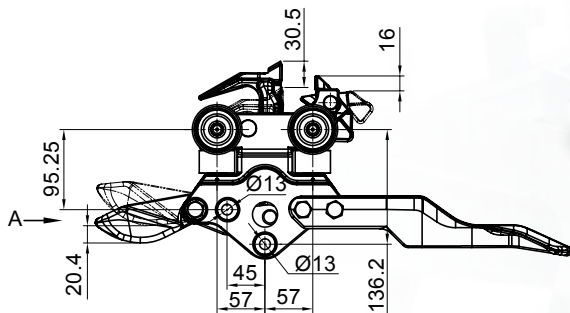
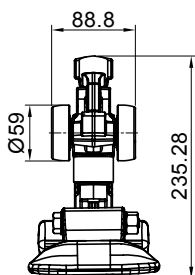
- **3" Rear Free Trolley (Wheel 59)**
Item NO. 5019611013

Weight per Set (kg) | 8.3
Load Capacity (kg) | Single Trolley:350 / Double Trolley:700



- **3" Front Free Trolley (Single)**
Item NO. 5019611030

Weight per Set (kg) | 11.3
Load Capacity (kg) | Single Trolley:350



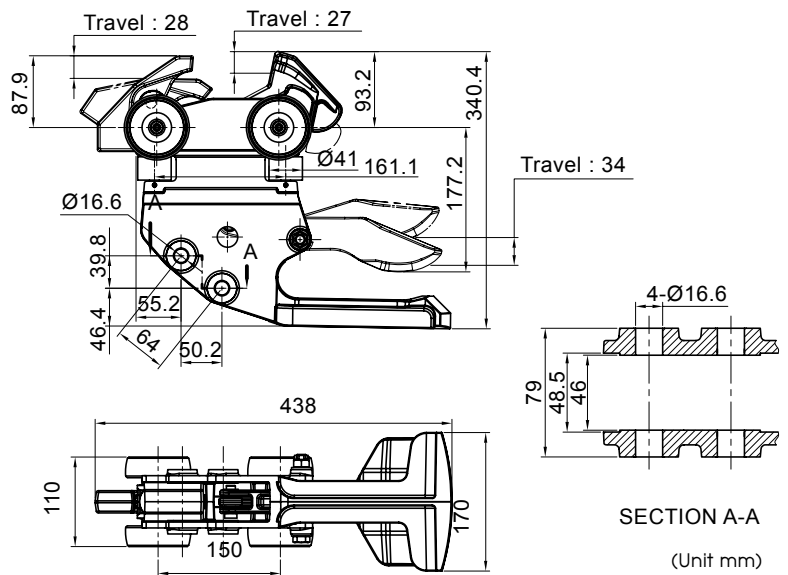
(Unit mm)

4" Free Trolley

• 4" Front Free Trolley

Item NO. 5019714001

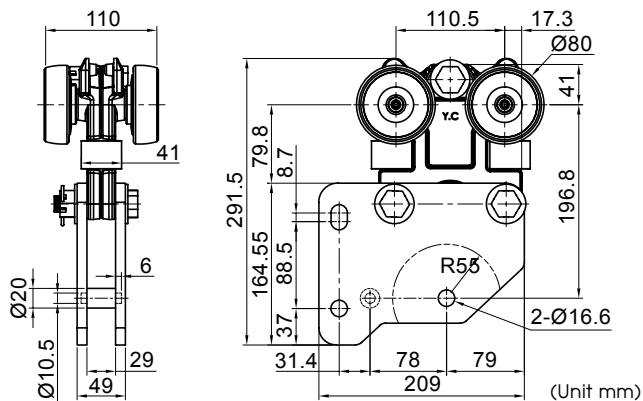
Weight per Set(kg) | 17.8
 Load Capacity(kg) | Single Trolley:600 / Double Trolley:1200



• 4" Intermediate Free Trolley

Item NO. 5019714002

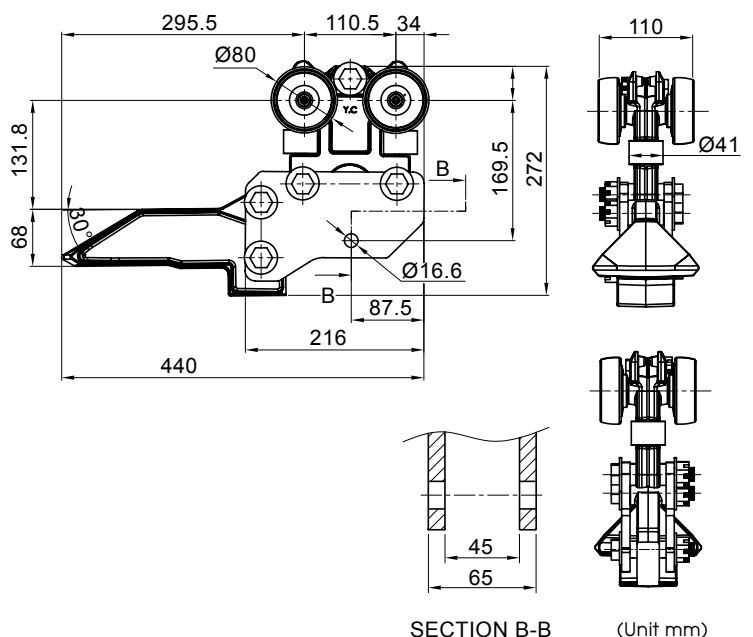
Weight per Set (kg) | 12.0
 Load Capacity (kg) | Single Trolley:600 / Double Trolley:1200



• 4" Rear Free Trolley

Item NO. 5019714003

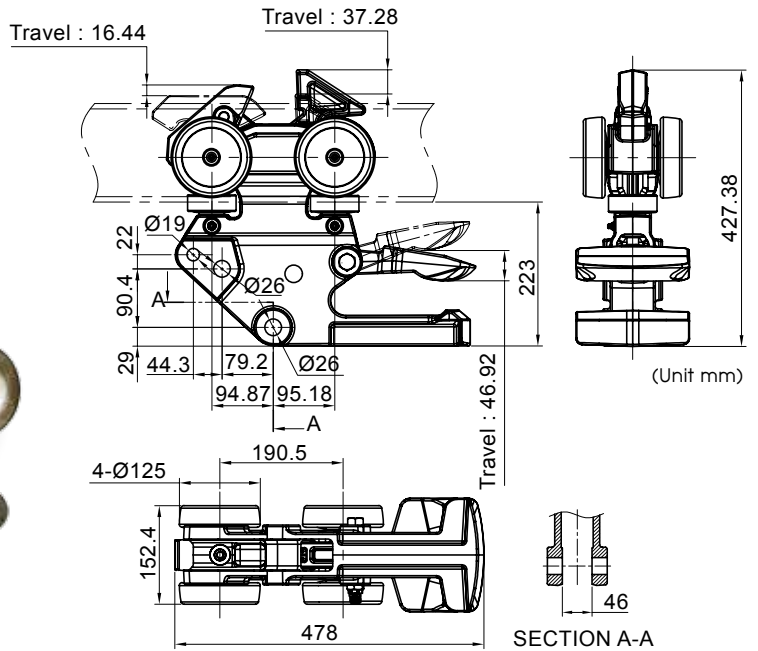
Weight per Set (kg) | 15.5
 Load Capacity (kg) | Single Trolley:600 / Double Trolley:1200



6" Free Trolley

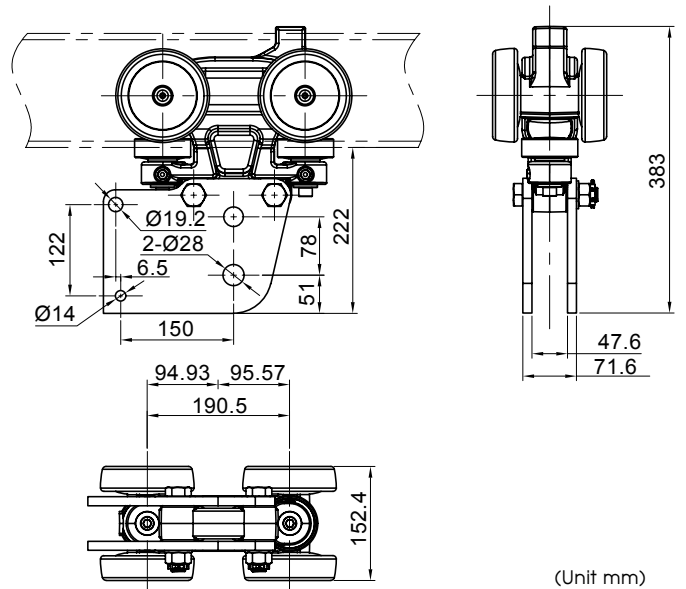
• 6" Front Free Trolley Item NO. 5019817001

Weight per Set (kg) 42.4
Load Capacity (kg) Single Trolley:1800 / Double Trolley:3600



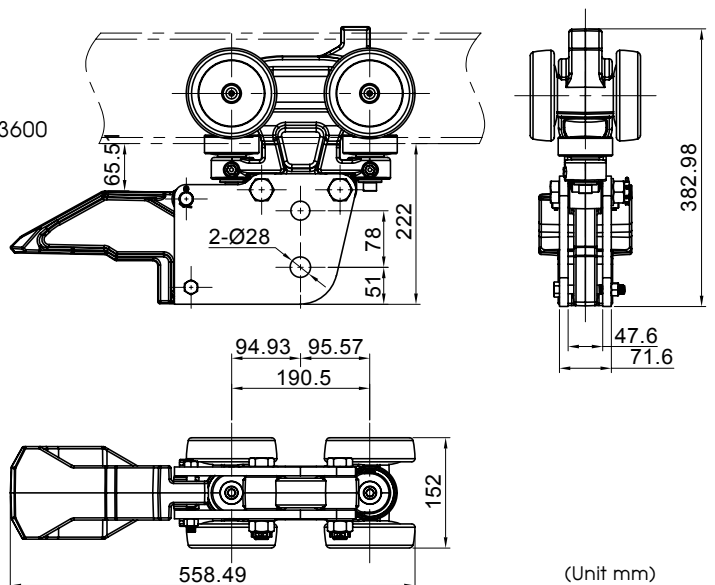
• 6" Intermediate Free Trolley Item NO. 5019817003

Weight per Set (kg) 30.1
Load Capacity (kg) Single Trolley:1800 / Double Trolley:3600



• 6" Rear Free Trolley Item NO. 5019817002

Weight per Set (kg) 35.5
Load Capacity (kg) Single Trolley:1800 / Double Trolley:3600

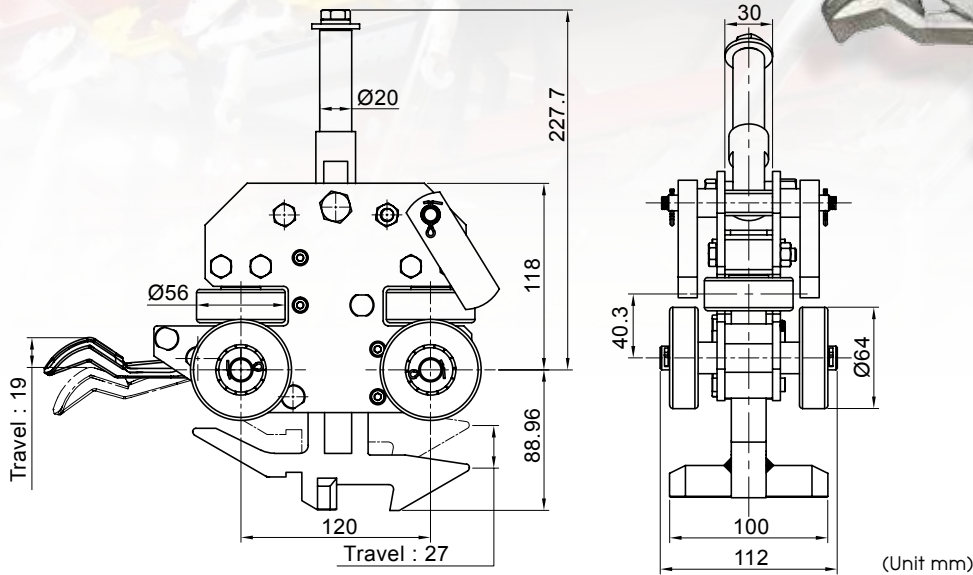


7 Ton Enclosed Track Floor Conveyor Free Trolley

• 7 Ton Floor Conveyor Front Free Trolley (HR-DM3A)

Item NO. 5019512001

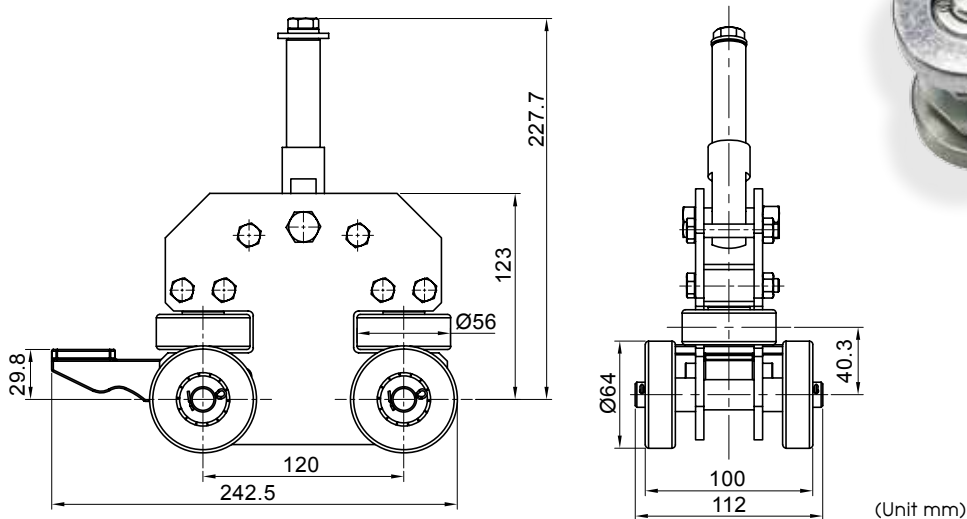
Weight per Set (kg)	7.6
Load Capacity (kg)	Approx. 3645



• 7 Ton Floor Conveyor Rear Free Trolley (HR-DM3B)

Item NO. 5019512002

Weight per Set (kg)	5.8
Load Capacity (kg)	Approx. 3645





YUH CHERN MANUFACTURING CO., LTD.

No.336, Dingtai Rd., Wufeng Dist., Taichung City 413, Taiwan (R.O.C.)

Tel : +886-4-2330-7323 Fax : +886-4-2332-5258

Email : service@challengehardware.com.tw